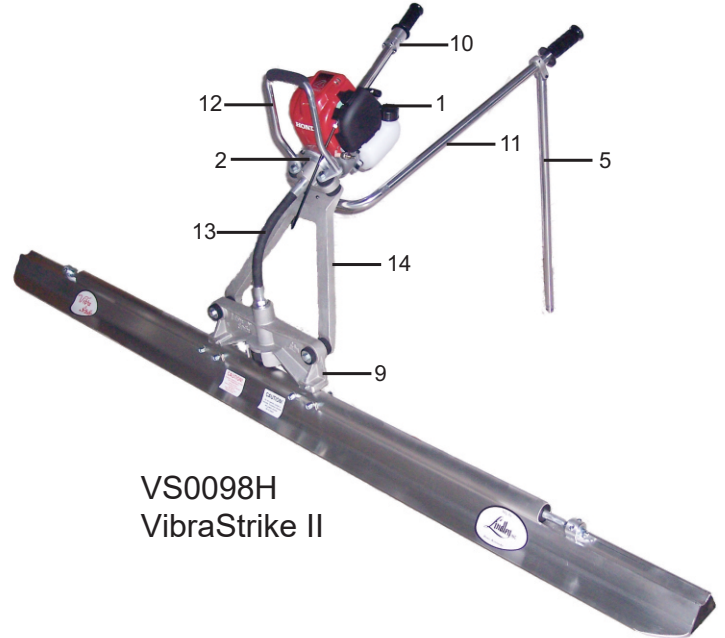


Vibra Strike I and II Parts List



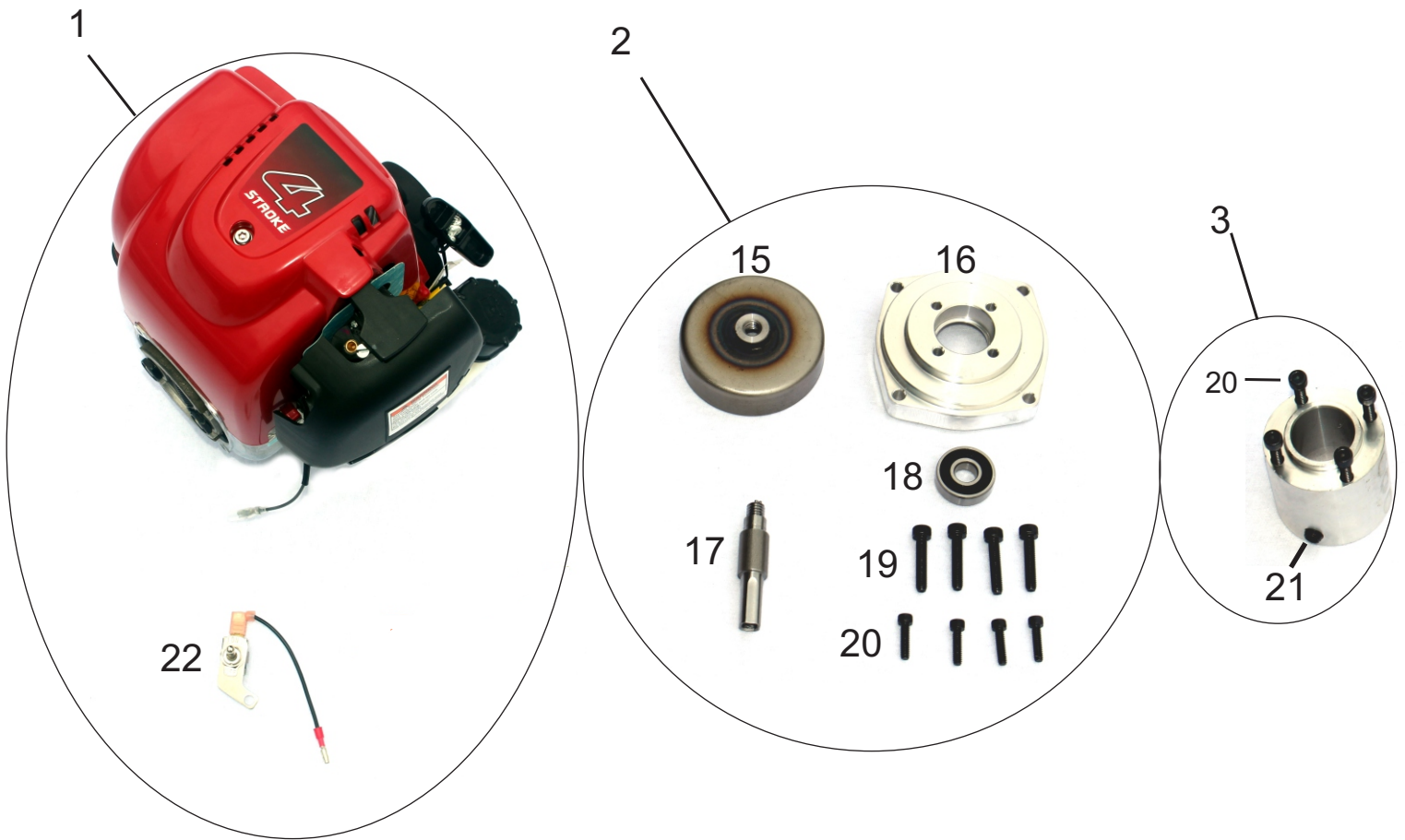
VS0097
VibraStrike I



VS0098H
VibraStrike II

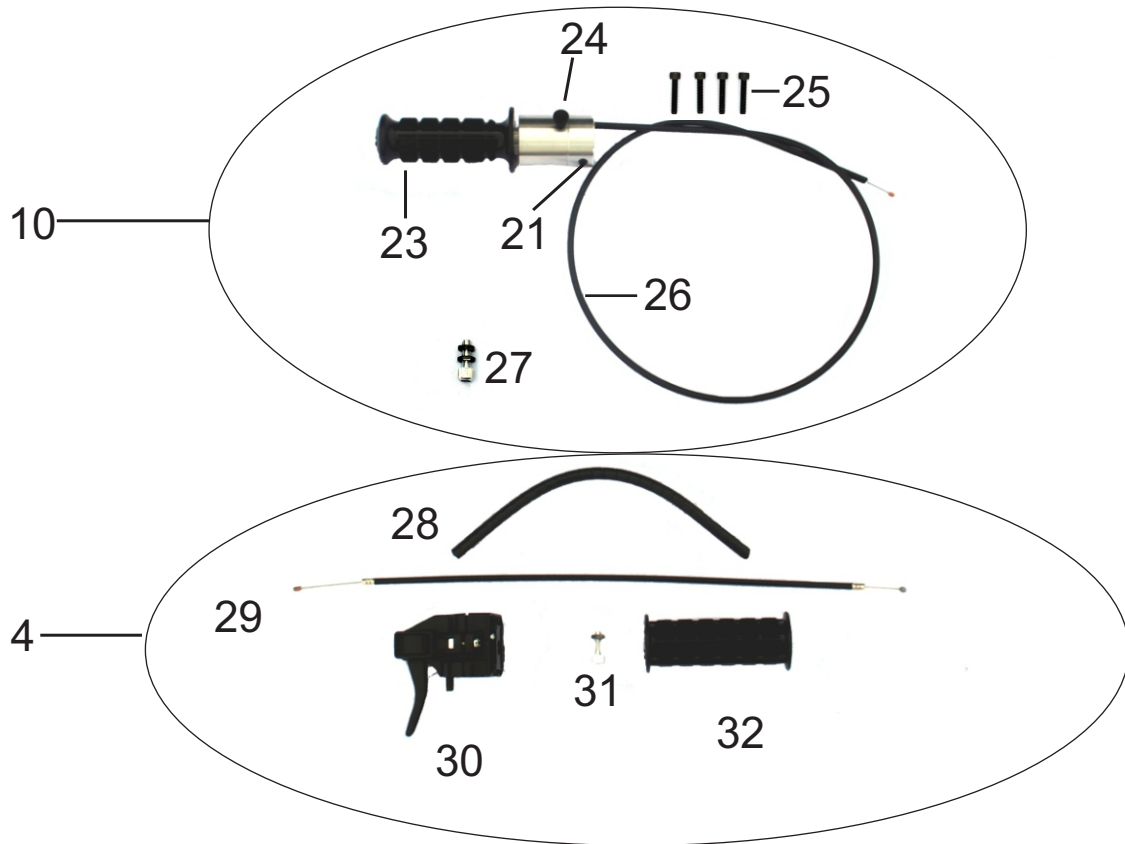
Item	Part Number	Description
1	EA900H	VSI and VSII Honda Engine (Fig. 1)
2	TL324	VSI and VSII Honda Engine Clutch Complete (Fig.1)
3	TL320	VSI Clutch Adapter Nosepiece (Fig.1)
4	RT600	VSI Throttle Assembly (Fig. 2)
5	TL850	VSI and VSII Kickstand Complete (Fig. 3)
6	TL425	VSI Magnesium Cast Lift Handle (Fig. 3)
7	TL525	VSI Cable Housing Complete (Fig. 4)
8	TL140A	VSI Magnesium Frame Complete (Fig. 5)
9	TL250	VSI and VSII Cast Housing Complete (Fig. 7)
10	TL328	VSII Honda Throttle Complete (Fig. 2)
11	TL303	VSII Dual Handlebar (Fig. 3)
12	TL304	VSII Lift Handle (Fig. 3)
13	TL308	VSII Flex Hose (Fig. 4)
14	TL140B	VSII Magnesium Frame Complete (Fig. 6)

Figure 1
EA900H and TL324 (Honda Clutch Complete)



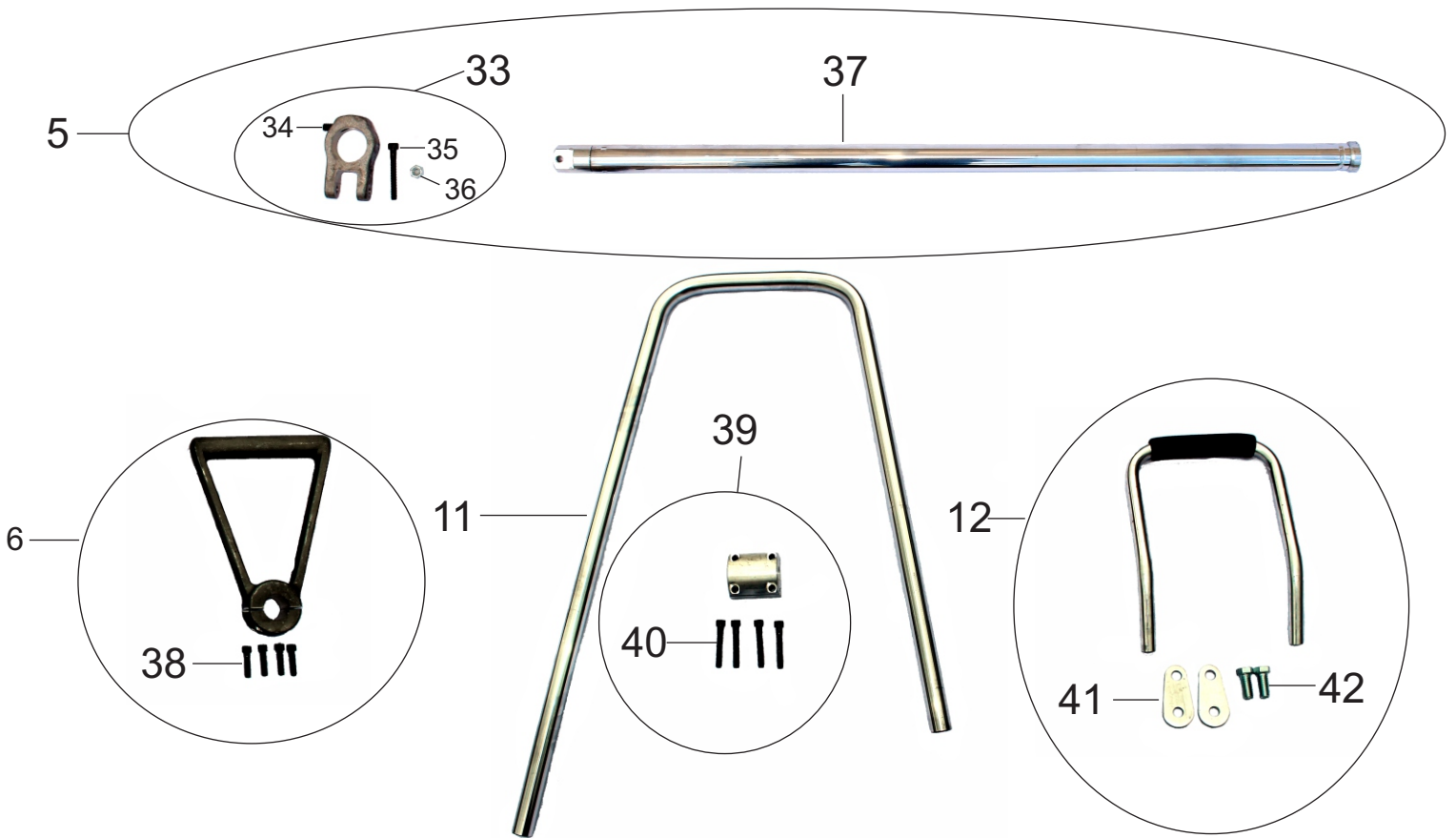
Item	Part Number	Description
1	EA900H	VS1,VSII, & Rattler Honda Engine with ON/OFF Switch
2	TL324	VSI,VSII, & Rattler Honda Clutch Complete
3	TL320	VSI and Rattler Clutch Adapter Nosepiece (VSI and Rattler Only)
15	TL316	VSI,VSII, and Rattler Honda Clutch Drum
16	TL317	VSI,VSII, and Rattler Honda Engine Clutch Adapter
17	TL319	VSI,VSII, and Rattler Honda Clutch Shaft
18	TL329	VSI,VSII, and Rattler Honda Clutch Bearing
19	TL314	VSI,VSII, and Rattler Honda Engine Mounting Screw
20	TL071	VSI,VSII, and Rattler Honda Clutch Adapter Mounting Screw
21	TL012	VSI and Rattler Clutch Adapter Nosepiece Set Screw 5/6-18 X 3/8
22	TL605	VSI,VSII, and Rattler Honda Engine ON/OFF Switch

Figure 2
 VSII TL328 and VSI RT600 Throttle Controls



Item	Part Number	Description
4	RT600	VSI & Rattler Throttle Assembly
10	TL328	VSII Honda Throttle Complete
21	TL012	VSII Honda Throttle Set Screw
23	TL306	VSII Grip
24	TL330	VSII Throttle Stop Screw
25	TL038	VSII Throttle Screw
26	TL322	VSII Throttle Cable
27	TL054	VSII Throttle Cable Adjusting Screw (2 nuts)
28	RT640	VSI Throttle Cable Loom Housing
29	RT620	VSI & Rattler Throttle Cable
30	RT610	VSI & Rattler Throttle Trigger
31	RT603	VSI & Rattler Throttle Cable Adjusting Screw (1 Nut)
32	RT630	VSI & Rattler Throttle Grip

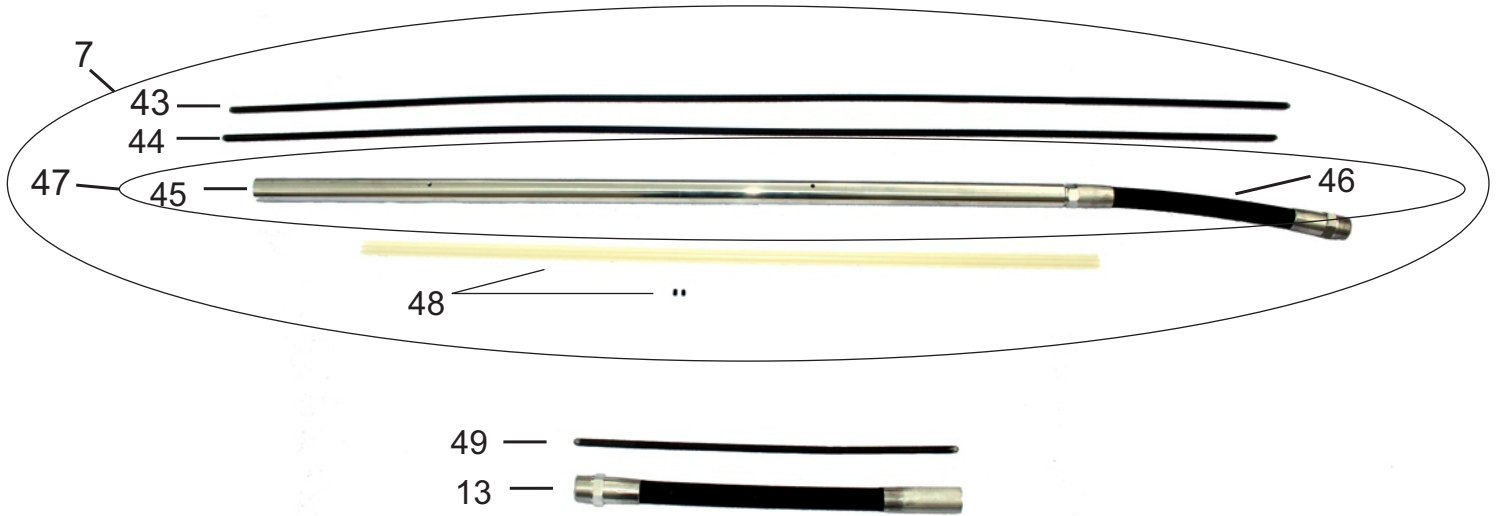
Figure 3
VSI and VSII Kickstand and Handles



Item	Part Number	Description
5	TL850	VSI and VSII Kickstand Complete
6	TL425	VSI Magnesium Cast Lift Handle
11	TL303	VSII Dual Handlebar
12	TL304	VSII Lift Handle
33	TL080	VSI and VSII Kickstand Bracket Complete
34	TL070	VSI and VSII Kickstand Bracket Set Screw
35	TL072	VSI and VSII Kickstand Bracket Connecting Screw
36	TL043	VSI and VSII Kickstand Bracket Self Locking Nut
37	TL800	VSI and VSII Kickstand without Bracket
38	TL039	VSI Magnesium Cast Lift Handle Screw
39	TL302	VSII Dual Handlebar Connector
40	TL006	VSII Dual Handlebar Connector Screw
41	TL304A	VSII Lift Handle Teardrop Connector
42	TL009	VSII Lift Handle Bolt

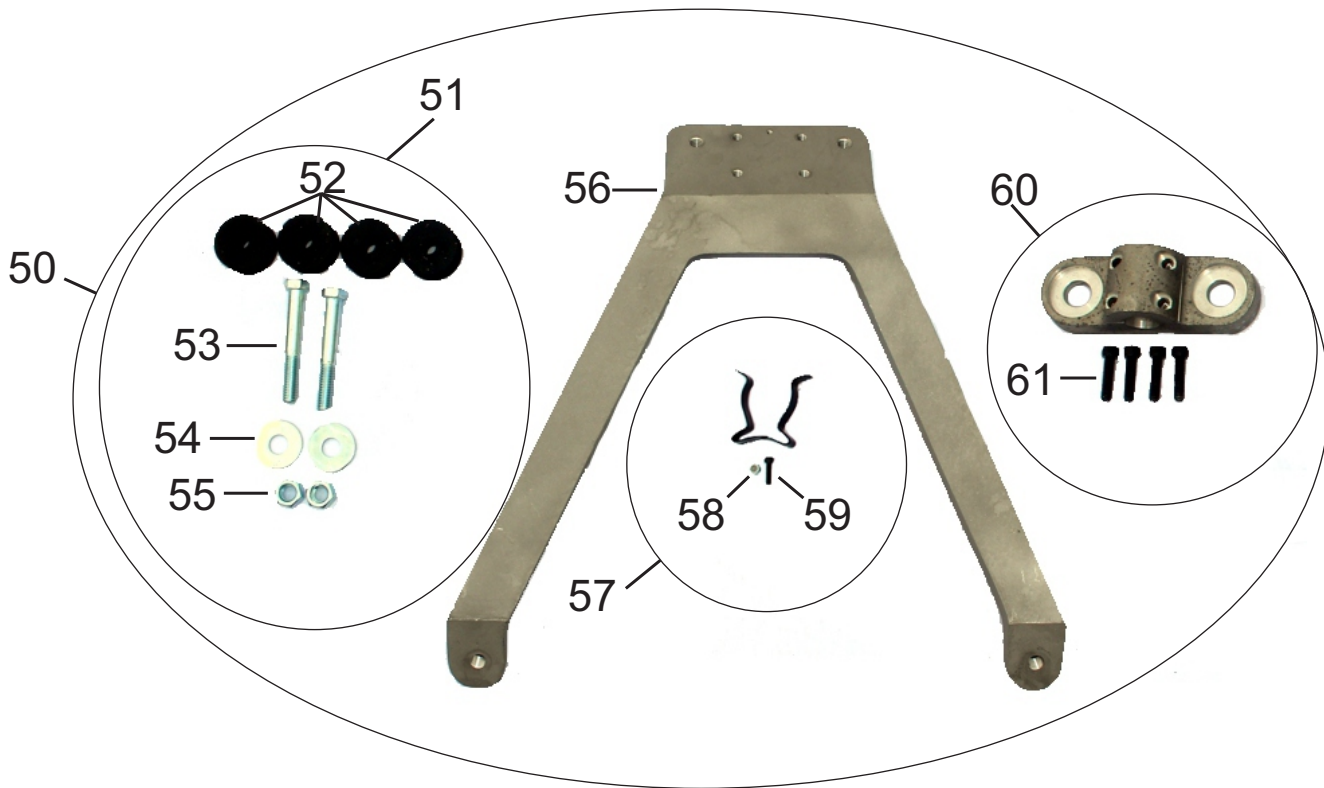
Figure 4

Cable Housing/Flex Hoses



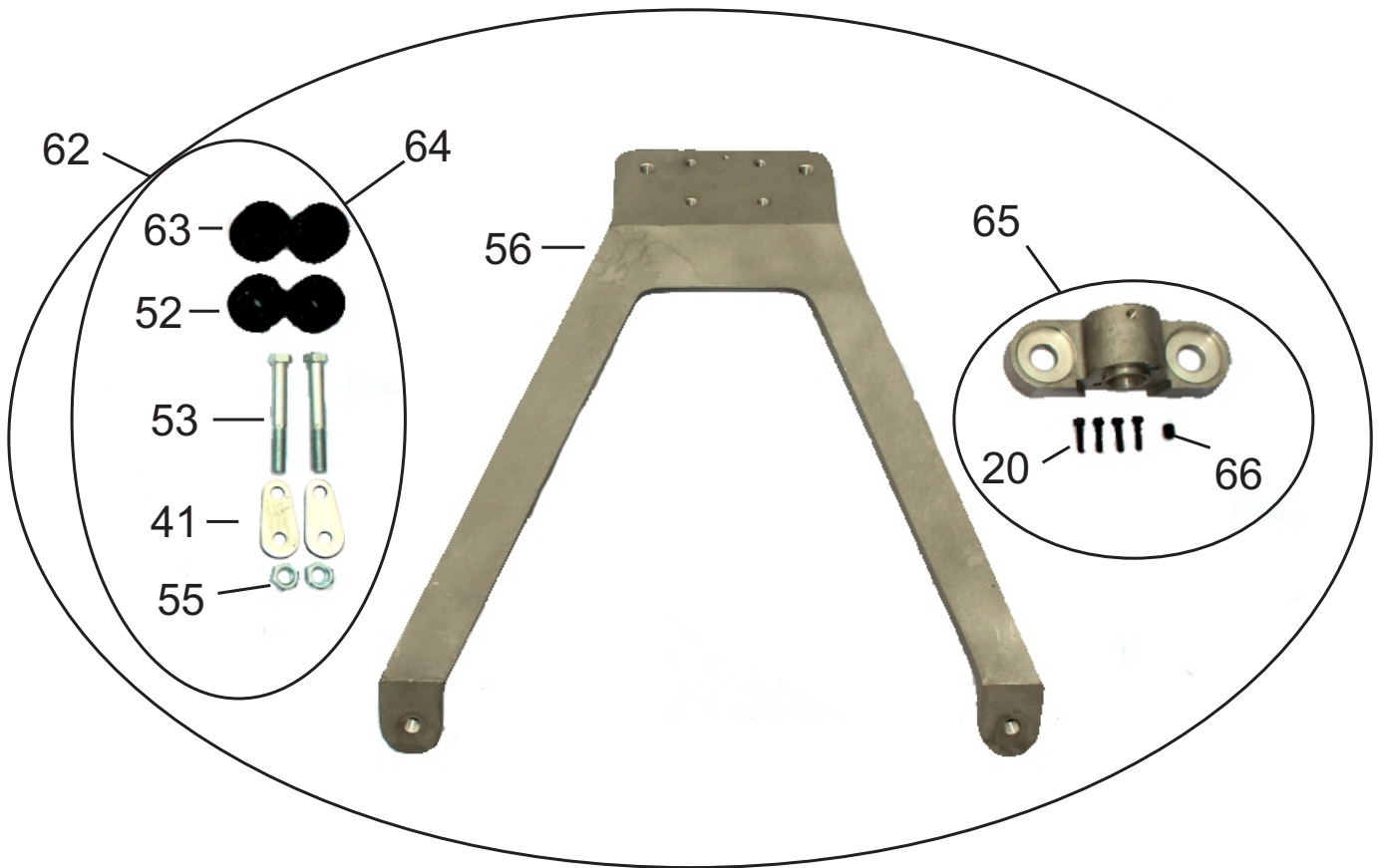
Item	Part Number	Description
7	TL525 (Robin)/TL525H (Honda)	VS1 Cable Housing Complete (engine determines part number/drive cable)
13	TL308	VSII Flex Hose
43	TL550	VSI Robin Engine Drive Cable
44	TL550H	VSI Honda Engine Drive Cable
45	TL505	VSI Cable Housing
46	TL500	VSI Flex Hose
47	TL515	VSI Cable Housing with Flex Hose
48	TL044	VSI Starliner with Set Screws
49	TL307	VSII Drive Cable

Figure 5
VSI Magnesium Frame Complete



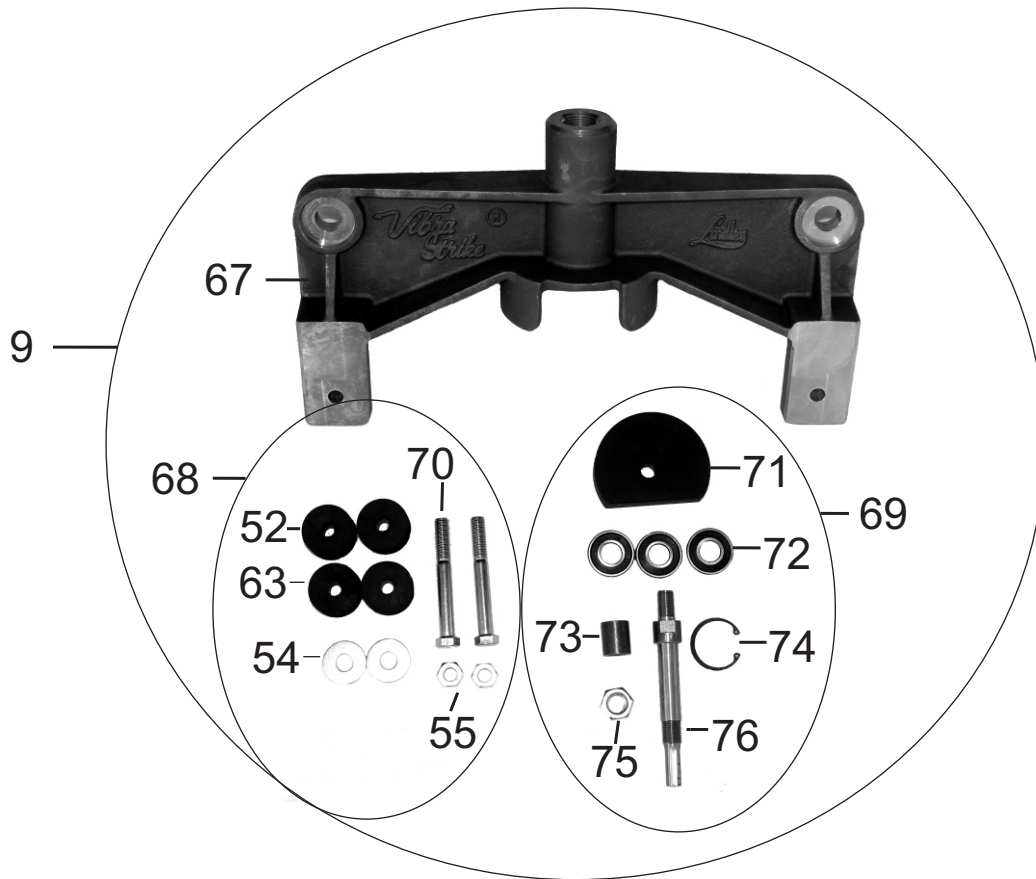
Item	Part Number	Description
50	TL140A	VSI Magnesium Frame Complete
51	TL035	VSI Magnesium Frame Connector Bushing Set
52	TL030	3/4" Rubber Bushing
53	TL047	VSI Magnesium Frame Connector Bushing Set Bolt
54	TL010	7/16 Flat Washer
55	TL040	7/16 Nut
56	TL110	VSI and VSII Magnesium Frame
57	TL061	VSI Spring Clip Complete for Kickstand
58	TL043	#10 Self Locking Nut for Spring Clip
59	TL071	Socket Head Cap Screw for Spring Clip
60	TL145	VSI Magnesium Frame Connector
61	TL046	VSI Magnesium Frame Connector Bolt

Figure 6
VSII Magnesium Frame Complete



Item	Part Number	Description
20	TL071	VSI and VSII Honda Clutch Adapter Mounting Screw
41	TL304A	VSII Lift Handle Teardrop Connector
52	TL030	3/4" Rubber Bushing
53	TL047	VSI and VSII Magnesium Frame Connector Bushing Set Bolt
55	TL040	7/16 Nut
56	TL110	VSI and VSII Magnesium Frame
62	TL140B	VSII Magnesium Frame Complete
63	TL031	1" Rubber Bushing
64	TL312	VSII Magnesium Frame Connector Bushing Set
65	TL311	VSII Magnesium Frame Connector Set
66	TL012	VSII Magnesium Frame Connector Set Screw

Figure 7
VSI and VSII Cast Housing Complete



Item	Part Number	Description
9	TL250	VSI and VSII Cast Housing Complete
52	TL030	3/4" Rubber Bushing
54	TL010	7/16 Flat Washer
55	TL040	7/16 Nut
63	TL031	1" Rubber Bushing
67	TL200	VSI and VSII Casting with Sleeve
68	TL225	VSI and VSII Cast Housing Bushing Set
69	TL299	Eccentric Weight Kit
70	TL001	VSI and VSII Cast Housing Bushing Set Bolt
71	TL300	VSI and VSII Eccentric Weight
72	TL052	VSI and VSII Cast Housing Bearing
73	TL053	VSI and VSII Cast Housing Bearing Spacer
74	TL050	VSI and VSII Cast Housing Snap Ring
75	TL042	VSI and VSII Weight Shaft Nut
76	TL051	VSI and VSII Weight Shaft